

Max Industries has been manufacturing skeletal trailers of various sizes for over 20 years. MAX brand high performance skeletal trailers have been supplied to more than 10 countries, including the Philippines, Malaysia, Indonesia, Algeria, Nigeria and Ghana.

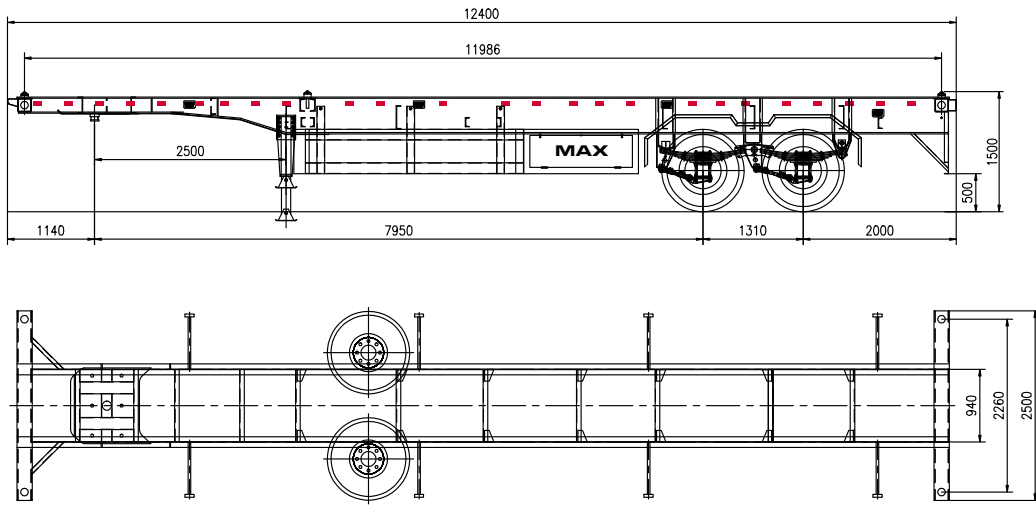
Features

- MAX brand landing gear
- High tensile steel fabricated I beams
- MAX brand 13 ton axles
- Heavy duty suspensions
- 4, 8, 12 twist locks available
- Standard front, side and rear lights

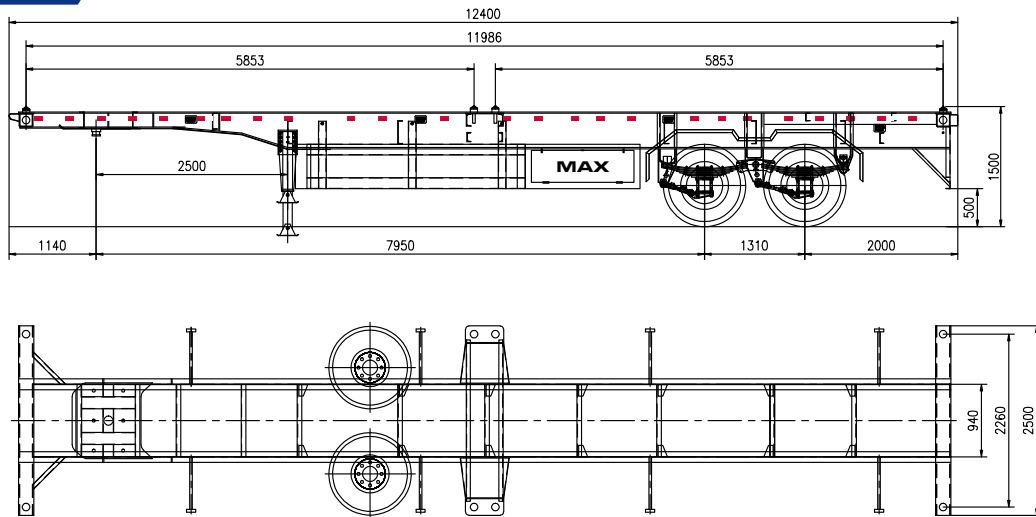


Model No.	Name	Tare Weight (Tons)	Payload (Tons)	Twist Locks
MX40FTSK01	Two Axle 40 Foot Skeletal Trailer	5.3	45	4
MX40FTSK02	Two Axle 40 Foot Skeletal Trailer	5.4	45	8
MX40FTSK03	Two Axle 40 Foot Skeletal Trailer	5.5	45	12
MX40FTSK04	Three Axle 40 Foot Skeletal Trailer	6.1	50	4
MX40FTSK05	Three Axle 40 Foot Skeletal Trailer	6.2	50	8
MX40FTSK06	Three Axle 40 Foot Skeletal Trailer	6.3	50	12

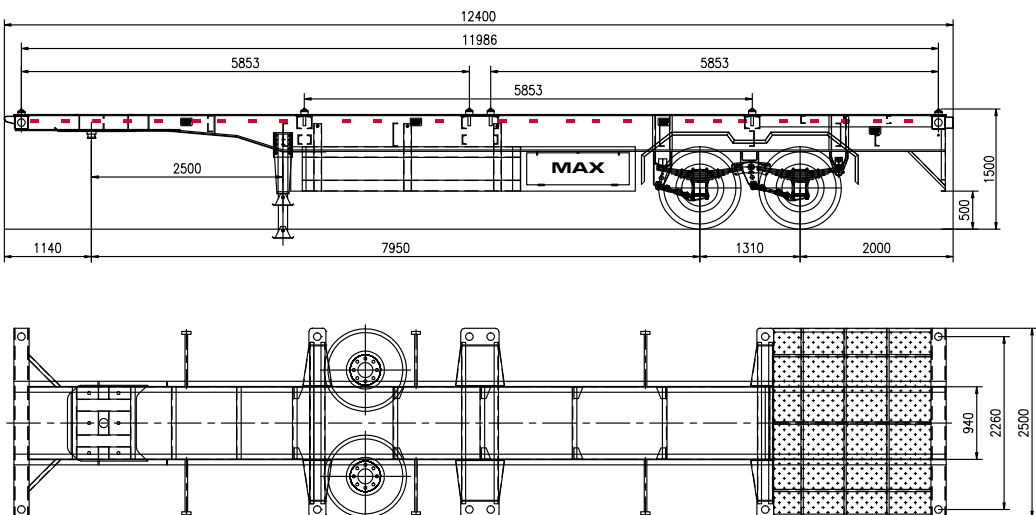
MX40FTSK01



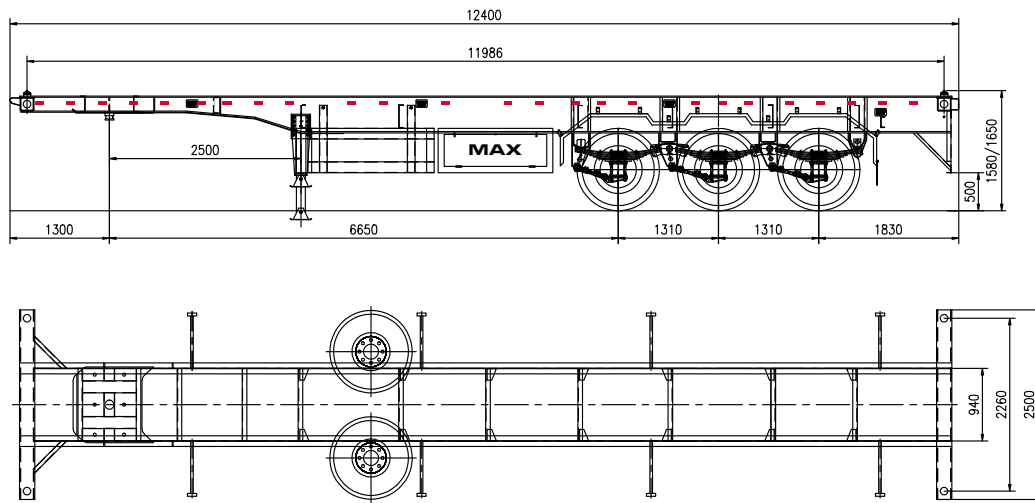
MX40FTSK02



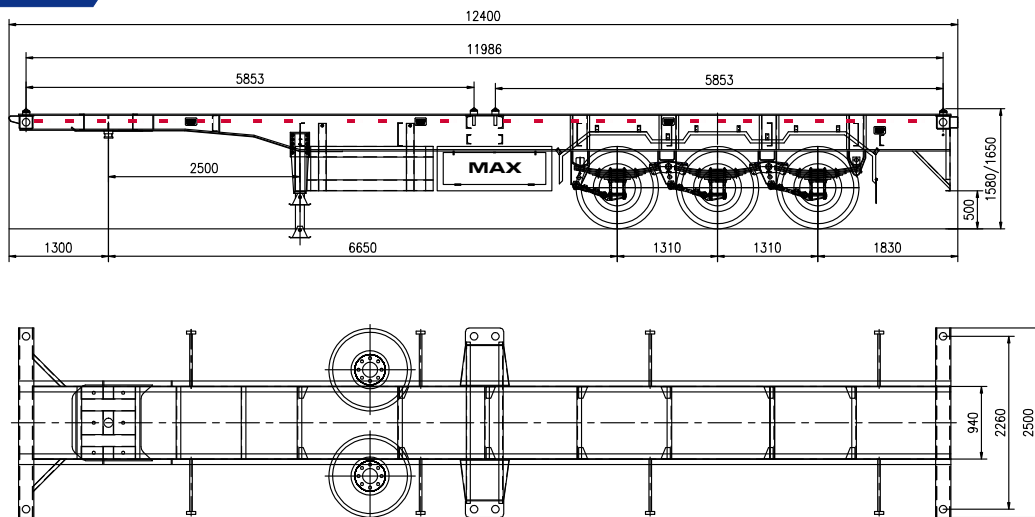
MX40FTSK03



MX40FTSK04



MX40FTSK05



MX40FTSK06

