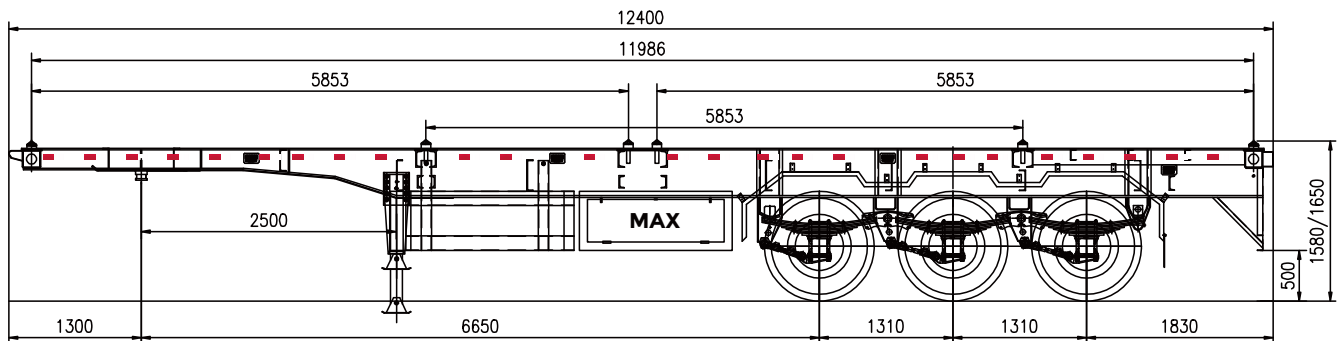




Lonely Lion

Max 40 Foot Skeletal Semi Trailer



Note: The photo and drawing are for reference only. The final design of the semi trailer is upon your specific requirements.



Max 40 Foot Skeletal Semi Trailer

Model	MAX/ST/SK/40/001
Tare Weight	6,500 KG, tolerance 0~-4%
Payload	50,000 KG
G.V.W.	56,500 KG
Dimensions	12400mm(Length) × 2500mm(Width) × 1580mm(Height)
King Pin	MAX brand 2.0/3.5" bolt-in type
Landing Gear	MAX brand 2 speed, manual operating, heavy duty landing gear landing gears
Main Beams	Q345B high quality steel, Top flange 16 mm thick, bottom 16 mm, flange width both 140mm; web height 500 mm, 8 mm thick
Axles	MAX brand 13 ton axles, 3 units
Suspensions	MAX brand standard mechanical suspensions
Springs	10 lines of heavy duty leaf springs
Brake System	Dual air brake system, 6 air tanks,
Rims	9.00*22.5
Tires	12R22.5, 12 units
Electrical	24-Volt sealed wiring harness, 7-pin connector at front
Side Lights	Two side marker lamps per side, amber color
Rear Lights	Standard brake, turn, reverse lights, license and fog lamp
Twist Locks	12 ISO twist locks per unit
Toolbox	One unit
Spare wheels carriers	One unit
Reflectors	Two triangular red reflectors at rear. Conspicuity reflective tapes on each side.
Painting	Sandblasting, one coat of primer, two coats of finish painting, and color as per customer's request.