



Lonely Lion

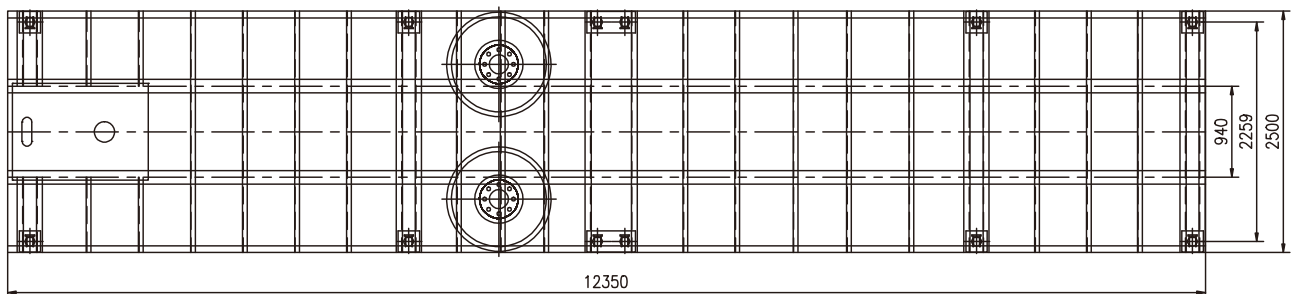
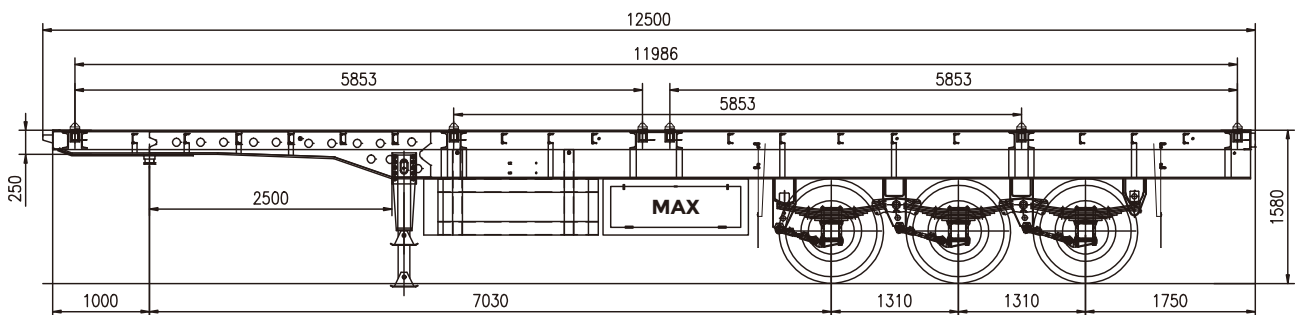
40 Foot Flatbed Semi Trailer





Lonely Lion

Max 40 Foot Flatbed Semi Trailer



Note: The photo and drawing are for reference only. The final design of the semi trailer is upon your specific requirements.



Max 40 Foot Flatbed Semi Trailer

Model	MAX/ST/FL/40/001
Tare	Weight 7,000 KG
Payload	50,000 KG
G.V.W.	57,000 KG
Dimensions	12500mm (Length) × 2500mm (Width) × 1550mm (Height)
Wheelbase	6960mm+1310mm+1310mm
King Pin	MAX brand 2.0/3.5" bolt-in type
Landing Gear	MAX brand 2 speed, manual operating, heavy duty landing gear landing gears
Platform	3 mm checkered steel plate
Main Beams	Q345B high quality steel, Top flange 16 mm thick, bottom 16 mm, flange width both 140mm; web height 500 mm, 8 mm thick
Axles	MAX brand 13 ton axles, 3 units
Suspensions	MAX brand standard mechanical suspensions
Springs	10 lines of heavy duty leaf springs
Brake System	Dual air brake system, 6 air tanks, WABCO relay valve
Rims	9.00*22.5
Tires	12.00R22.5, 12 units
Electrical	24-Volt sealed wiring harness, 7-pin connector at front
Side Lights	Two side marker lamps per side, amber color
Rear Lights	Standard brake, turn, reverse lights, license and fog lamp
Twist Locks	Twelve ISO twist locks per unit
Toolbox	One unit
Spare wheels carriers	One unit
Reflectors	Two triangular red reflectors at rear. Conspicuity reflective tapes on each side
Painting	Sandblasting, one coat of primer, two coats of finish painting, and color as per customer's request.