

lonely lion

Maximize your profit

Table of contents

Skeletal Trailers	3
Flatbed Trailers	6
Sidewall Trailers	9
Fence Trailers	11
Low Bed Trailers	13

Max Industries has been manufacturing skeletal trailers of various sizes for over 20 years. MAX brand high performance skeletal trailers have been supplied to more than 10 countries, including the Philippines, Malaysia, Indonesia, Algeria, Nigeria and Ghana.

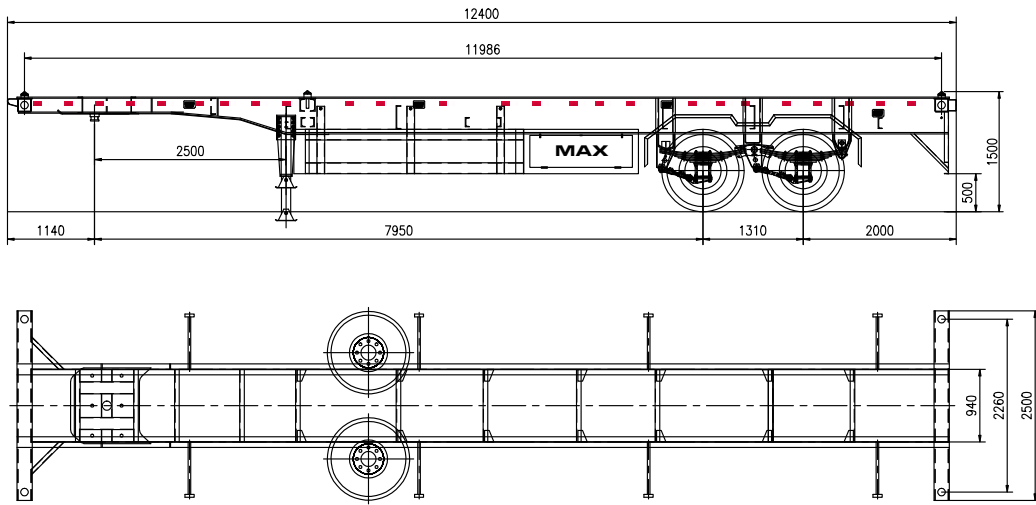
Features

- MAX brand landing gear
- High tensile steel fabricated I beams
- MAX brand 13 ton axles
- Heavy duty suspensions
- 4, 8, 12 twist locks available
- Standard front, side and rear lights

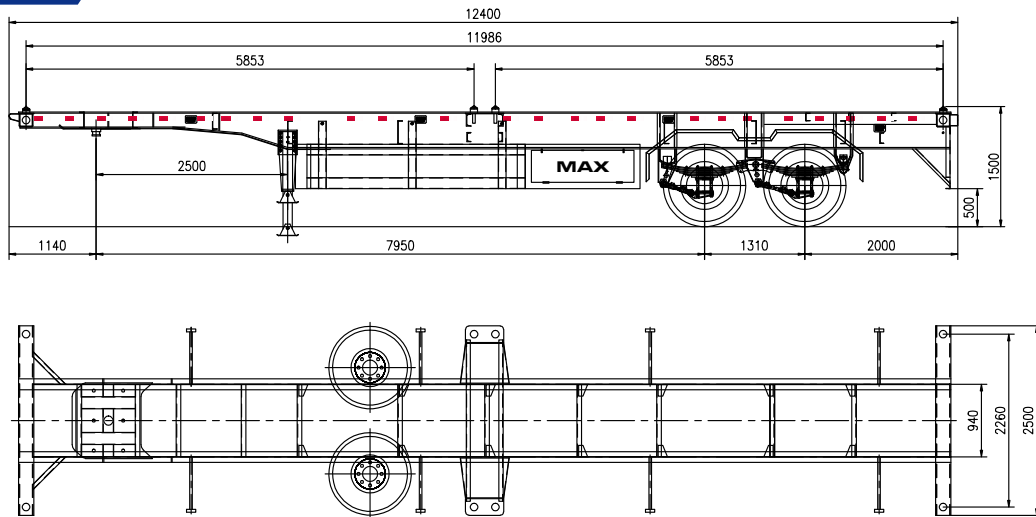


Model No.	Name	Tare Weight (Tons)	Payload (Tons)	Twist Locks
MX40FTSK01	Two Axle 40 Foot Skeletal Trailer	5.3	45	4
MX40FTSK02	Two Axle 40 Foot Skeletal Trailer	5.4	45	8
MX40FTSK03	Two Axle 40 Foot Skeletal Trailer	5.5	45	12
MX40FTSK04	Three Axle 40 Foot Skeletal Trailer	6.1	50	4
MX40FTSK05	Three Axle 40 Foot Skeletal Trailer	6.2	50	8
MX40FTSK06	Three Axle 40 Foot Skeletal Trailer	6.3	50	12

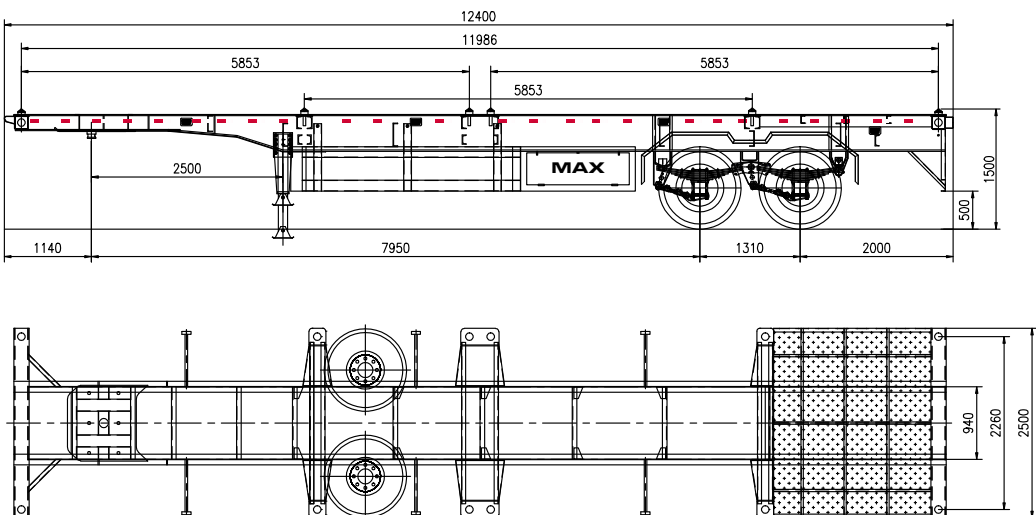
MX40FTSK01



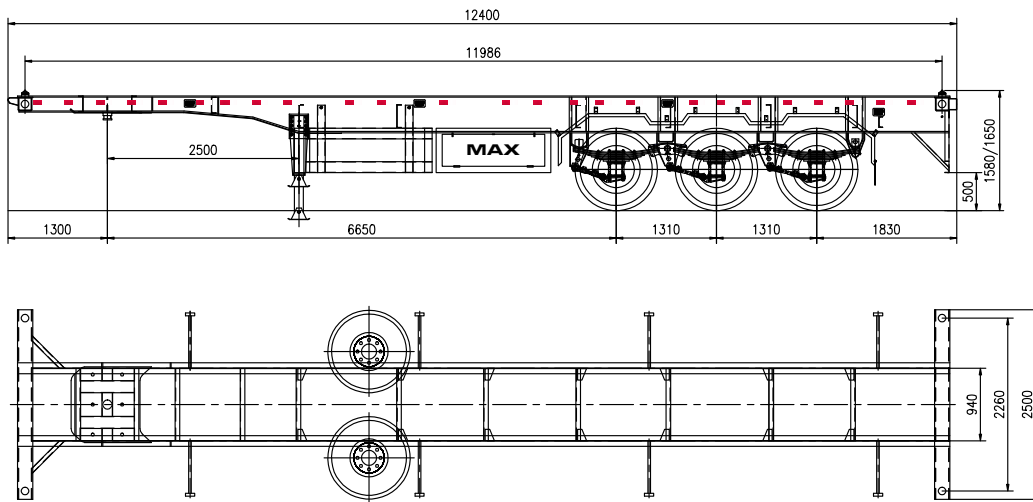
MX40FTSK02



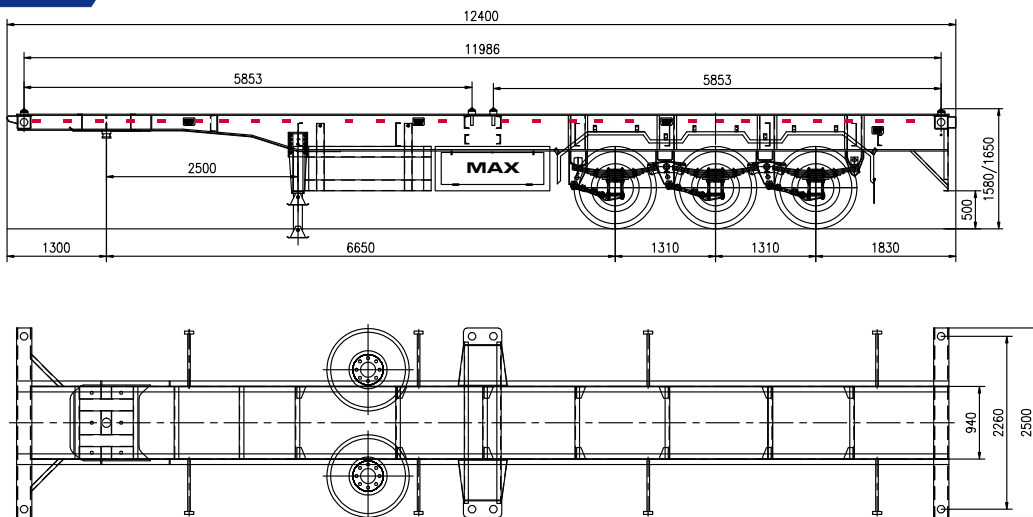
MX40FTSK03



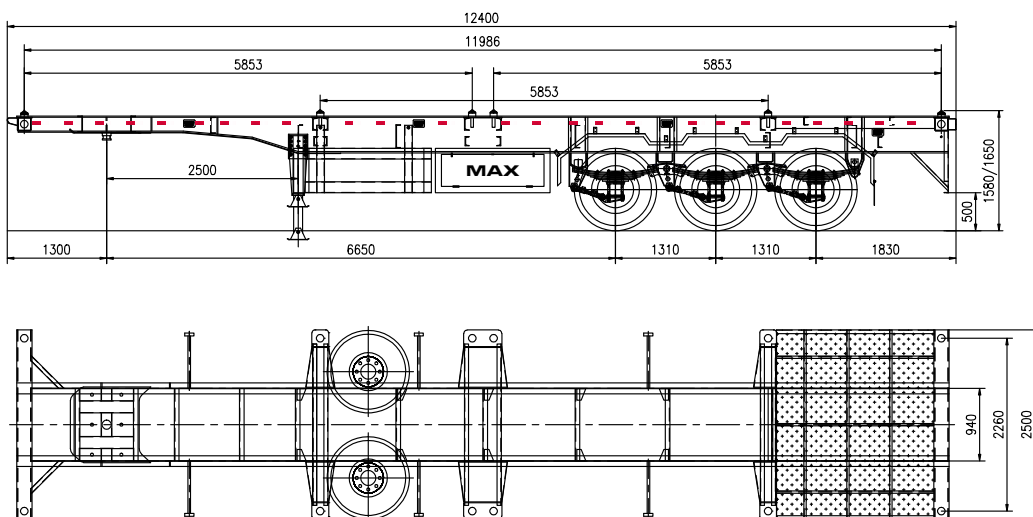
MX40FTSK04



MX40FTSK05



MX40FTSK06



Flatbed trailers are widely used to carry 20 foot and 40 foot ISO shipping containers. As one of the featured products of Max Industries, our flatbed trailers have earned reputation for reliable quality from world-wide customers.

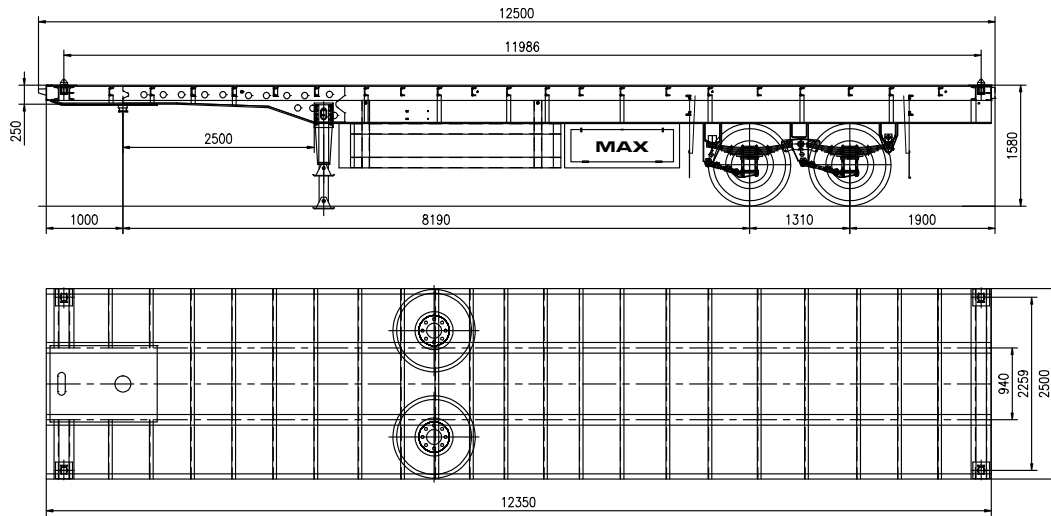
Features

- 3 mm checkered steel platform
- High tensile steel fabricated I beams
- MAX brand 13 ton axles
- Heavy duty suspensions
- 4, 8, 12 twist locks available
- Standard front, side and rear lights

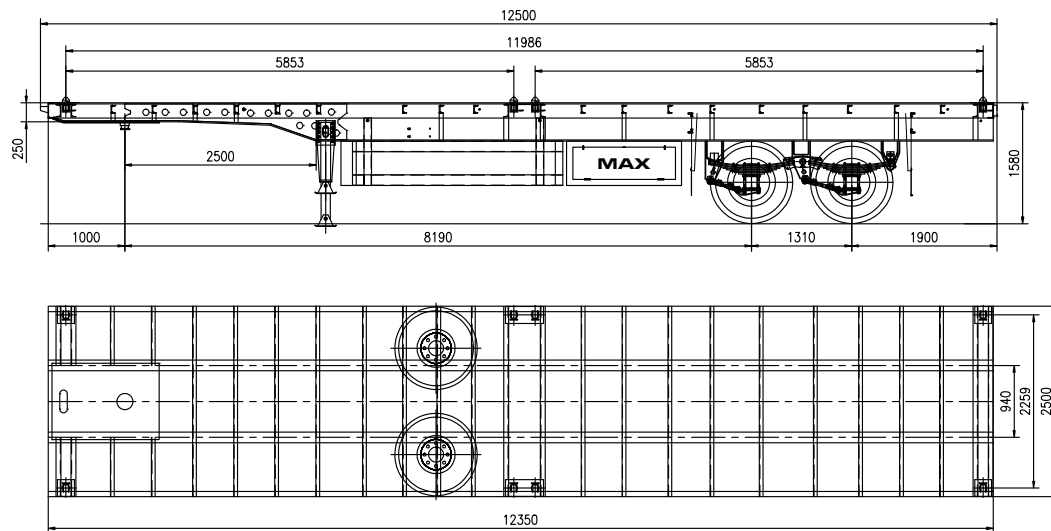


Model No.	Name	Tare Weight (Tons)	Payload (Tons)	Twist Locks
MX40FTFLT01	Two Axle 40 Foot Flatbed	6.4	40	4
MX40FTFLT02	Two Axle 40 Foot Flatbed	6.4	40	8
MX40FTFLT03	Two Axle 40 Foot Flatbed	6.4	40	12
MX40FTFLT04	Three Axle 40 Foot Flatbed	7.3	50	4
MX40FTFLT05	Three Axle 40 Foot Flatbed	7.3	50	8
MX40FTFLT06	Three Axle 40 Foot Flatbed	7.3	50	12

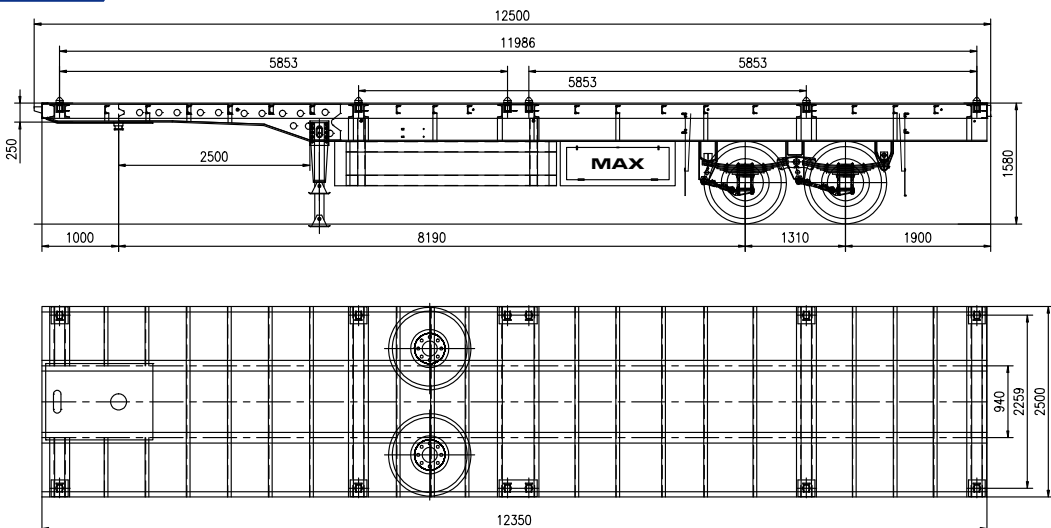
MX40FTFLT01



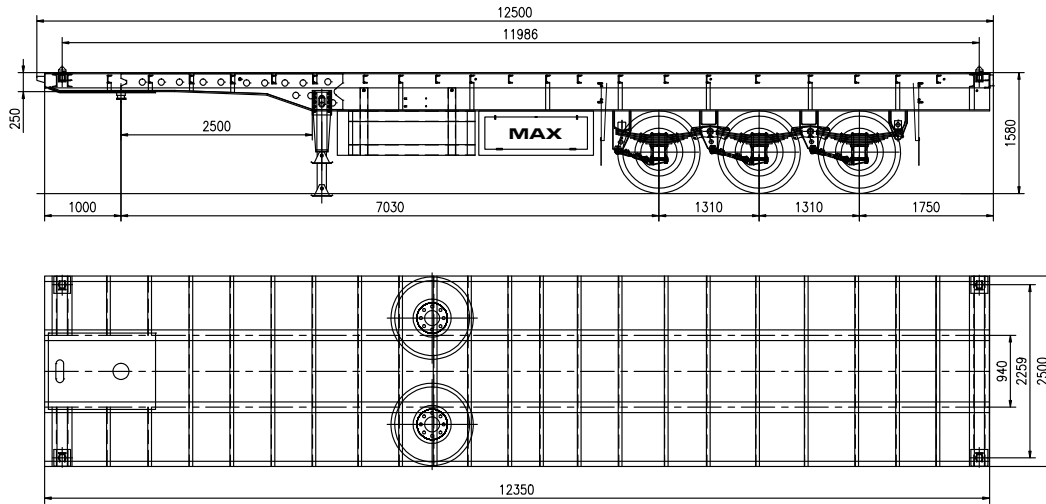
MX40FTFLT02



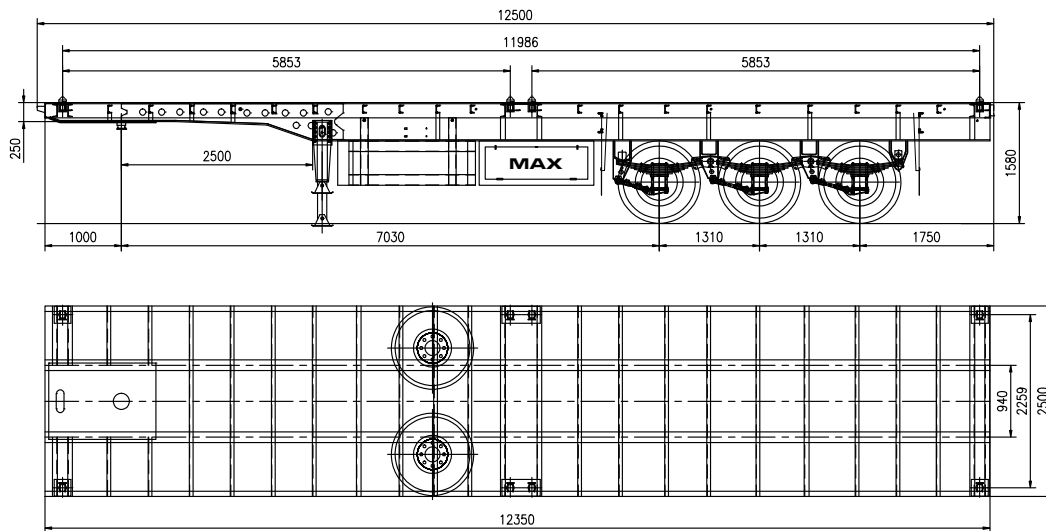
MX40FTFLT03



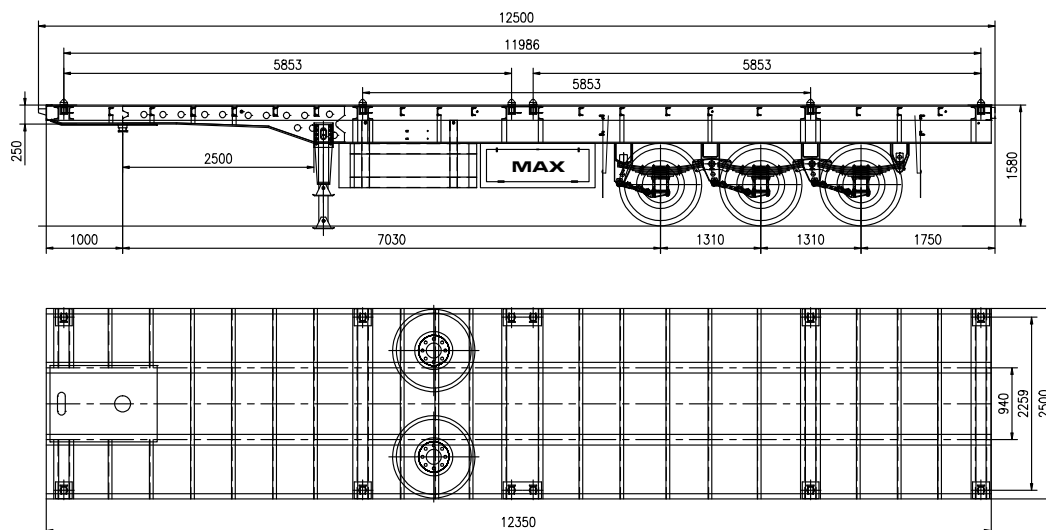
MX40FTFLT04



MX40FTFLT05



MX40FTFLT06



Sidewall trailers are used to carry a variety of cargo, such as timbers and agricultural goods.

Twist locks could also be installed onto the sidewall trailers to enable them to carry 20 foot and 40 foot containers.

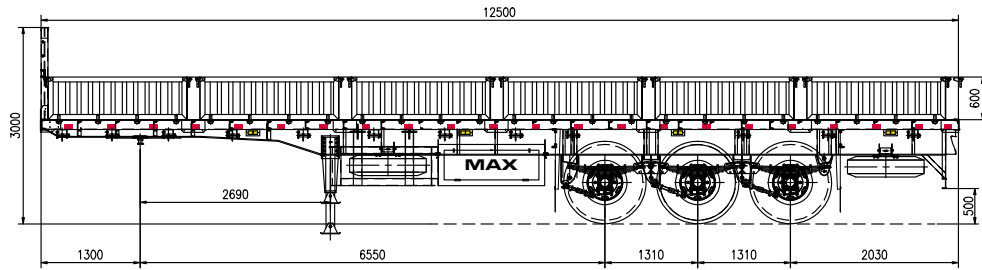
Features

- Twist locks options
- 2 mm thick steel sidewall
- 3 mm steel platform
- High tensile steel fabricated I beams
- MAX brand 13 ton axles
- Heavy duty suspensions

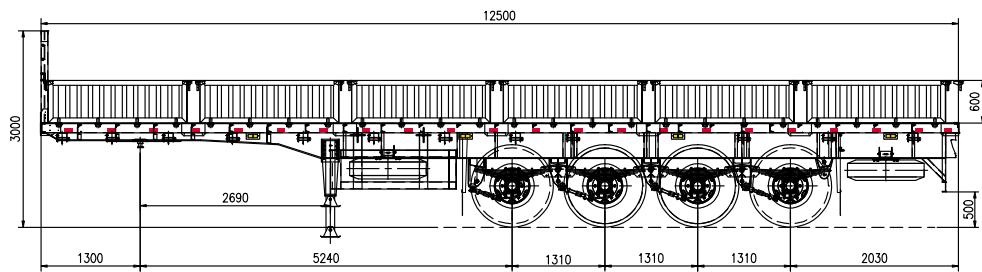


Model No.	Name	Tare Weight (Tons)	Payload (Tons)	Twist Locks
MX40FTSW01	Three Axle 40 Foot Sidewall Trailer	7.7	50	Optional
MX40FTSW02	Four Axle 40 Foot Sidewall Trailer	8.5	70	Optional
MX13MSW01	Three Axle 13 Meter Sidewall Trailer	7.7	50	Optional

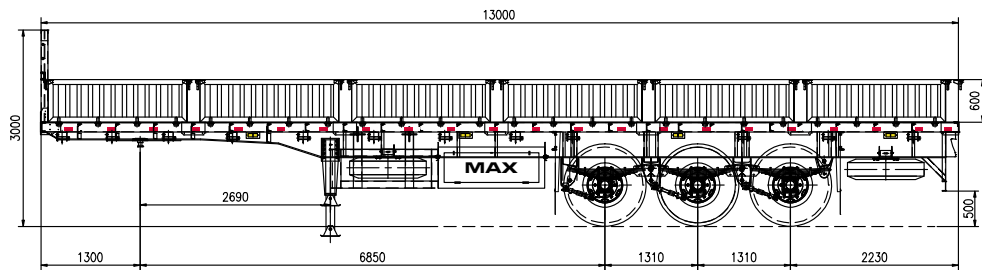
MX40FTSW01



MX40FTSW02



MX13MSW01



Fence trailers are employed to transport livestock, fruits, agricultural goods and other commodities. We have been supplying fence trailers to Africa, South America, South-east Asia and other regions for more than 20 years.

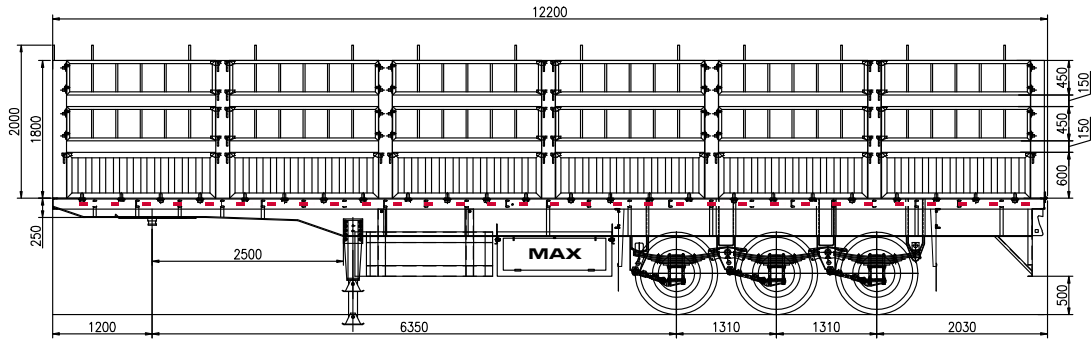
Features

- Custom height steel fence
- 2 mm thick steel sidewall
- 3 mm steel platform
- High tensile steel fabricated I beams
- MAX brand 13 ton axles
- Heavy duty suspensions

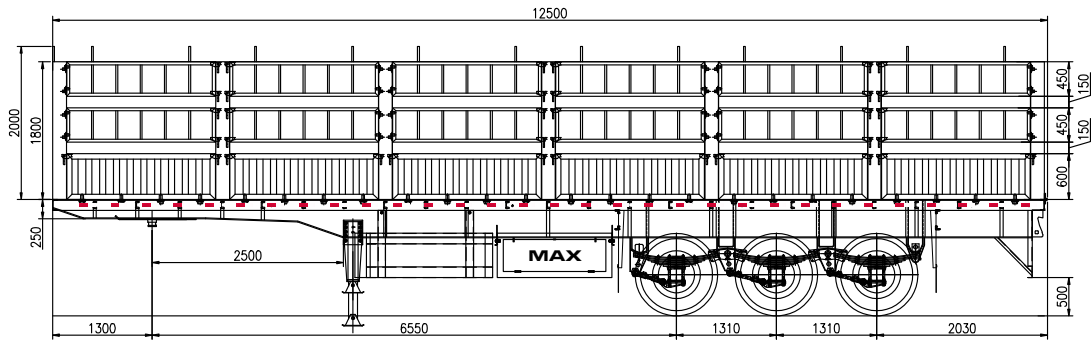


Model No.	Name	Tare Weight (Tons)	Payload (Tons)
MX12MFC01	Three Axle 12.2 Meter Fence Trailer	7.8	50
MX40FTFC01	Three Axle 40 Foot Fence Trailer	7.8	50
MX13MFC01	Three Axle 13 Meter Fence Trailer	7.9	50

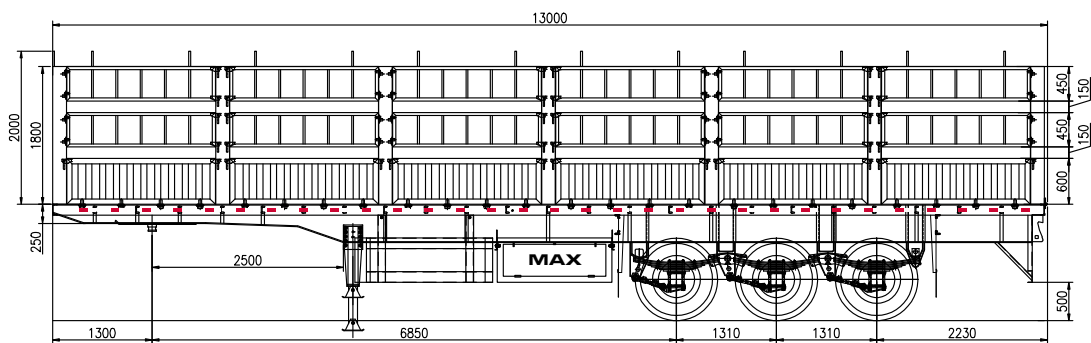
MX12MFC01



MX40FTFC01



MX13MFC01



Low bed trailers are also called lowboy trailers or low loaders. They are widely used to carry excavator, cranes, as well as other heavy machines and equipment. Our low bed trailers have been supplied to more than 30 countries, including Algeria, Mali, Nigeria, Kenya, Somalia, Brazil, and Argentina.

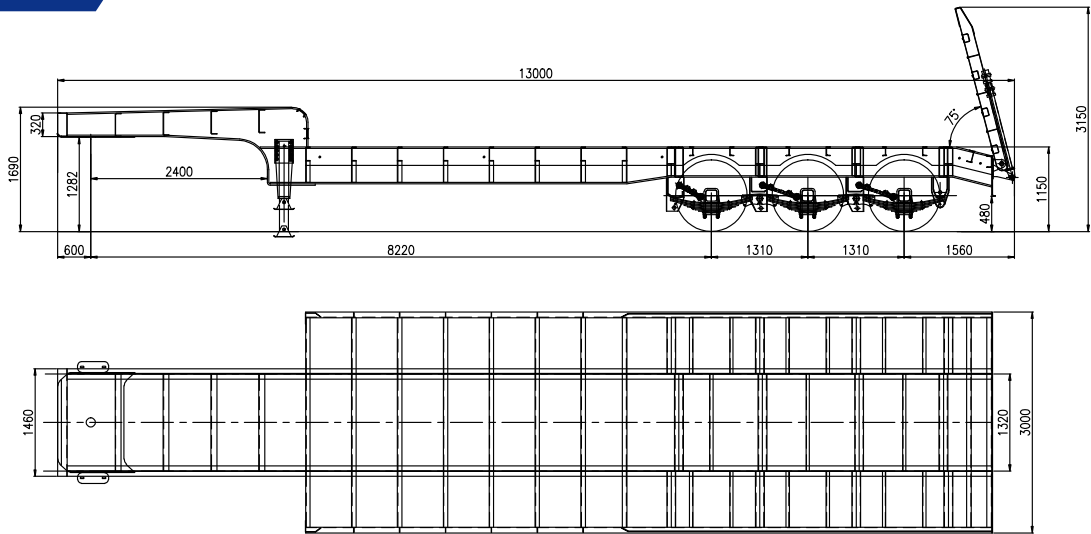
Features

- Hydraulic ramp option
- 4 mm steel platform
- Enhanced steel main beams
- I section side beams
- MAX brand 13 ton axles
- Heavy duty suspensions

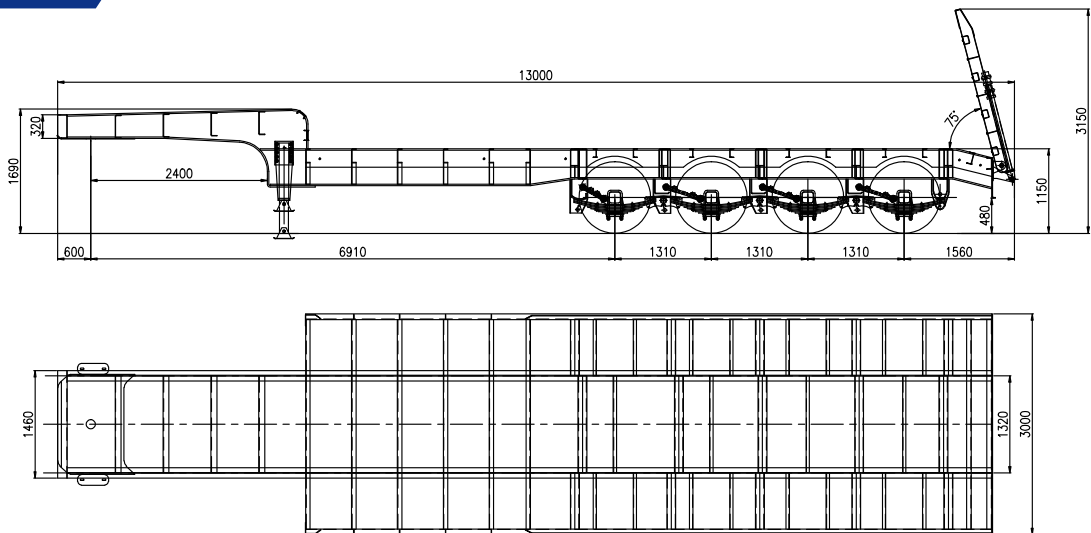


Model No.	Name	Tare Weight (Tons)	Payload (Tons)	Ramp
MX13MLB01	Three Axle 13 Meter Low Bed Trailer	11.7	50	Mechanical
MX13MLB02	Four Axle 13 Meter Low Bed Trailer	12.5	70	Mechanical
MX15MLB01	Four Axle 15 Meter Low Bed Trailer	13.8	70	Machanical

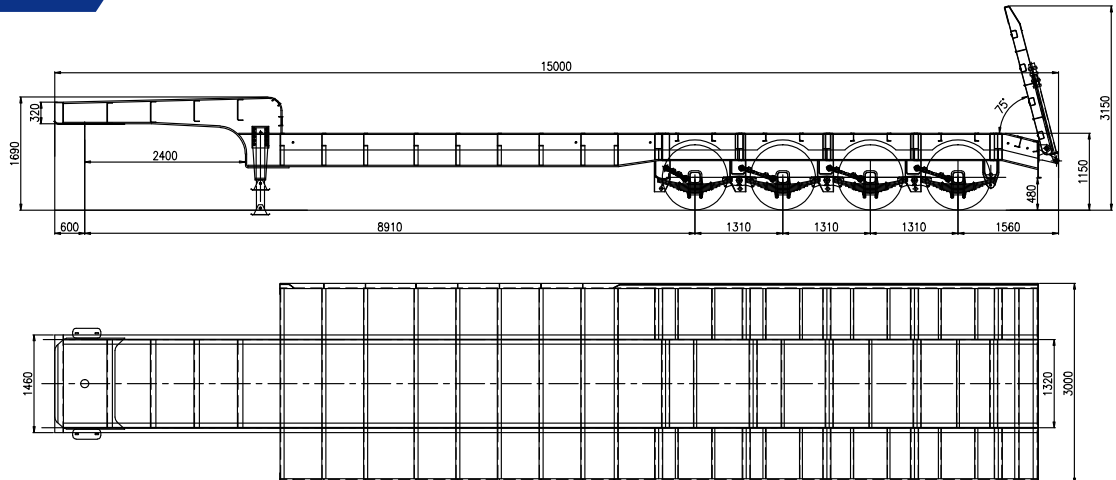
MX13MLB01



MX13MLB02



MX15MLB01



lonely lion